

Grand Open Gazebo

ESDXL21PT018

IMPORTANT!
RETAIN FOR FUTURE REFERENCE.
READ CAREFULLY.

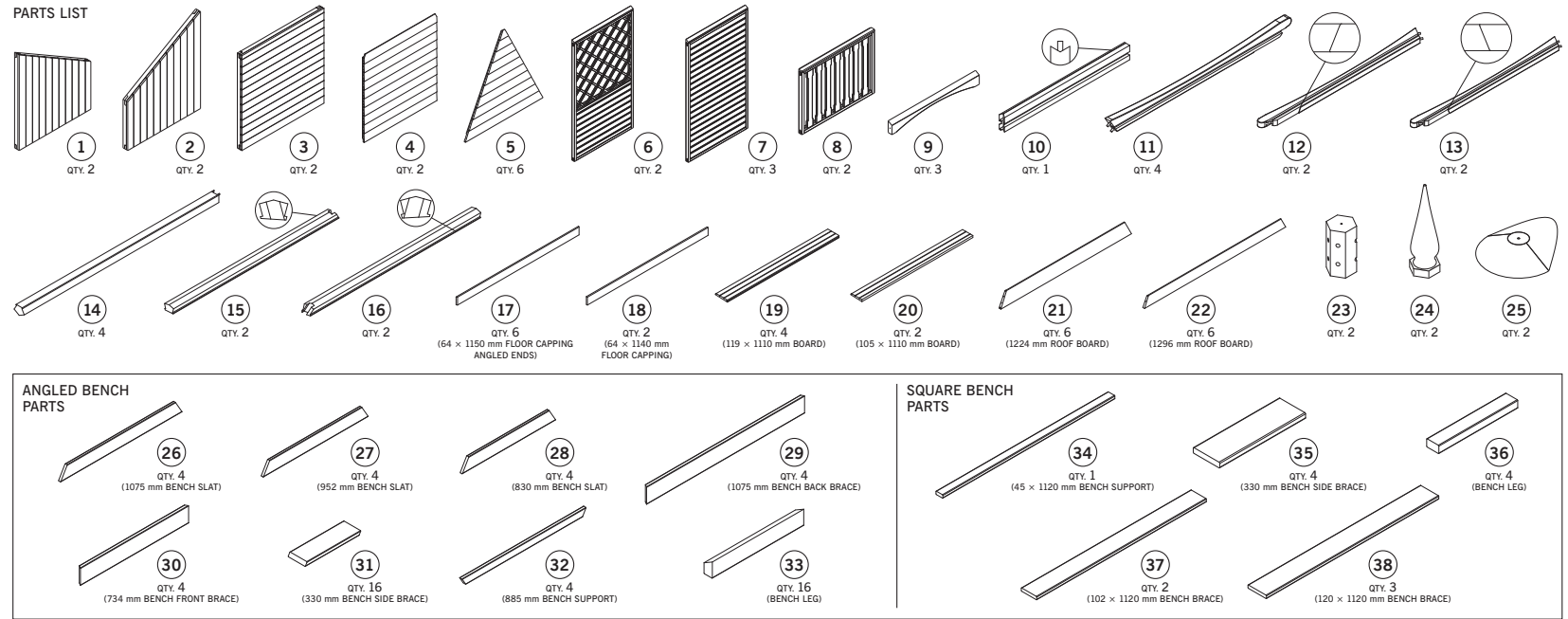
Check all parts prior to assembly.

This building is pressure treated to ensure the longevity of all timber components and to protect against rot. This may leave a colour difference on some parts that will even out as the moisture content stabilises.

- Timber is a natural material. It will shrink and swell as a result of varying moisture content.
- Please keep all plastic bags and small parts away from children.
- The roof of this building is not a load bearing structure.
- This product must be built on a solid level base.

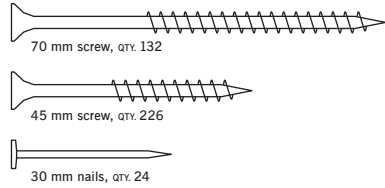
In line with your statutory rights, please check all parts prior to assembly, as assembly of damaged parts may be deemed to be acceptance and this may affect the remedies you are entitled to. If the product is not constructed in accordance with the instructions, or is altered in anyway (e.g. painted) the manufacturer cannot be held liable for any resulting damage.

PARTS LIST



FIXING PACK

Scale 1:1



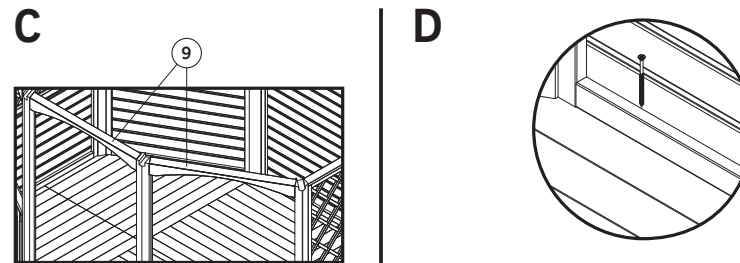
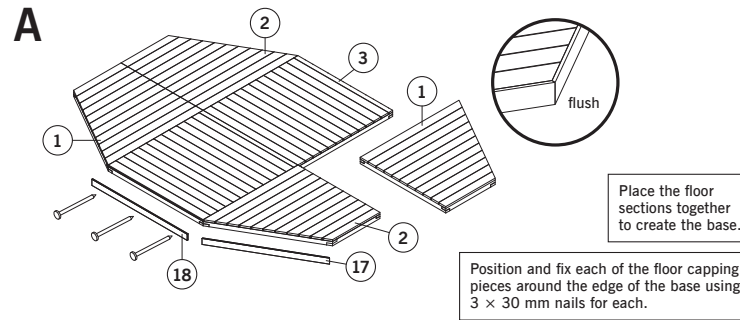
REQUIRED TOOLS (not supplied):



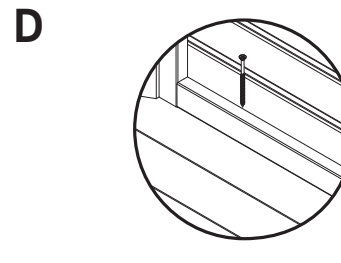
IMPORTANT:
Assembly of this Gazebo requires a minimum of three adults.



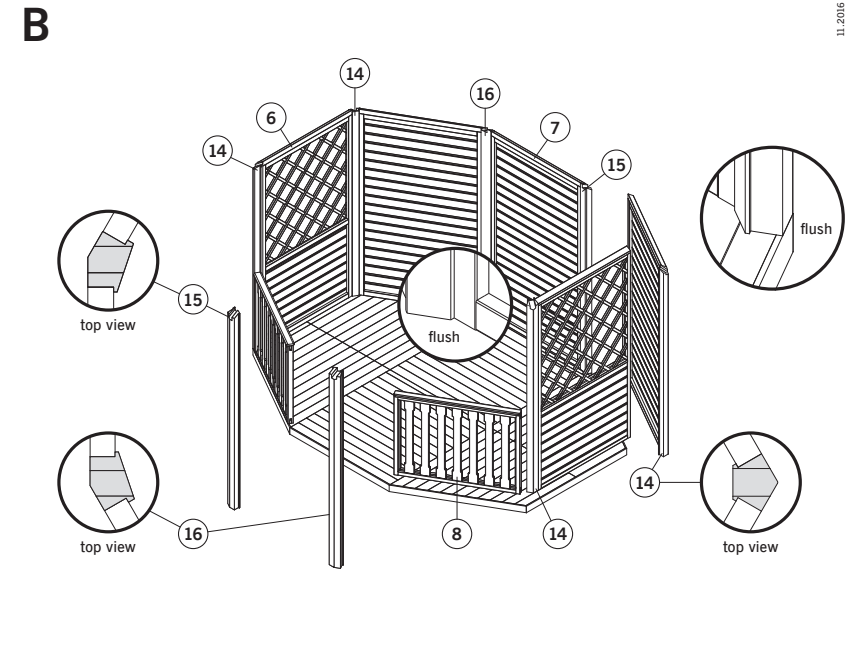
IMPORTANT:
Must pre-drill (Ø 3-4 mm) for each screw used.



Place the arch pieces between the posts so they are in line with the top of panels. Fix the arch in place using 2 x 70 mm screws for each, using the pre-drilled holes.

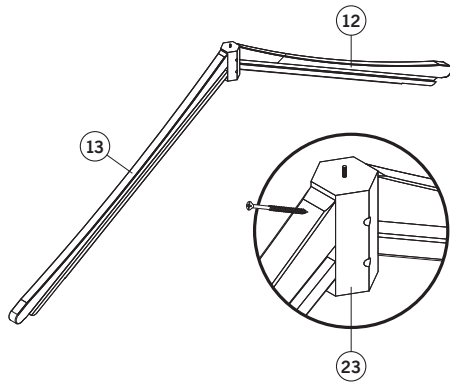


Once all of the panels and arches are lined up and secure, check that all of the sides are flush with the base. Secure each panel to the base using 4 x 70 mm screws, screwing down through the framing.



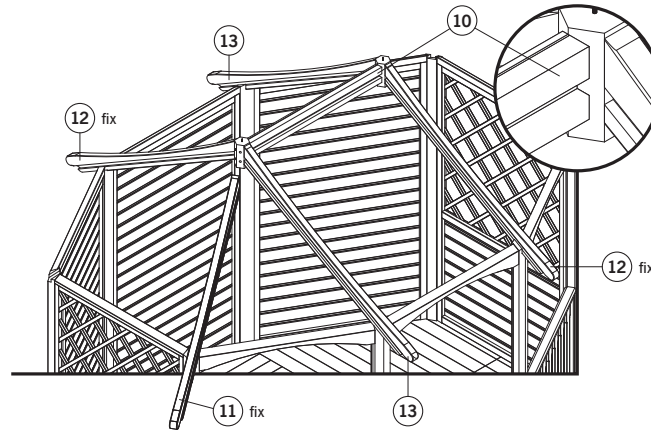
Fix the posts to sides of the panels using 4 x 70 mm screws, screwing through the panel framework first. Use 2 x 70 mm screws for each side of the baluster assembly.

Make sure that all of the panels are secured to posts and in line with the outside of the base as shown. Do not fix to the floor at this point! The No 15 and No 16 posts must be placed opposite each other.

E

Identify the correct rafters in relation to the posts before assembly.

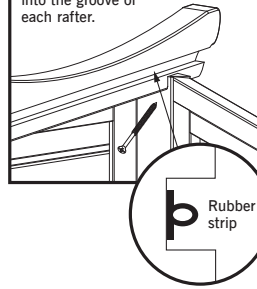
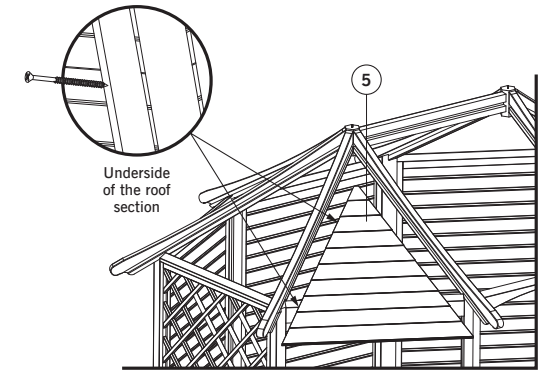
Ideally using a rubber mallet, so as not to damage the wood, fix a rafter to the finial base and make sure that everything is tight. Secure the rafter using a 70 mm screw, screwing at an angle down through the rafter. Complete for the opposite side and position the assembly onto the Gazebo so that the rafters sit into the top of the posts.

F

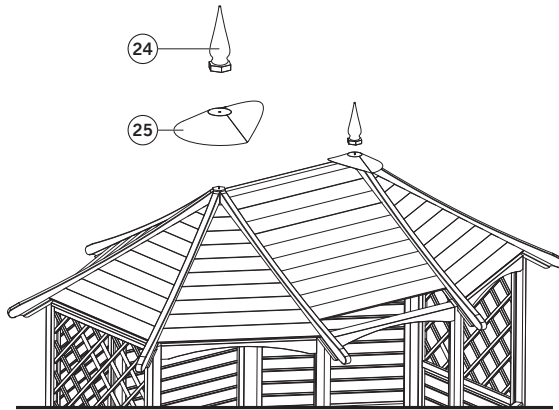
ATTENTION! Take care when working at height and make sure ladders are anchored.

Fix the remaining rafters and apex rafter to the finial base the same as step E. Only fix four of the rafters to the posts at this point to shore up whilst the others can be adjusted when positioning the roof sections. To secure use a single 70 mm screw for each screwing up through the post at an angle.

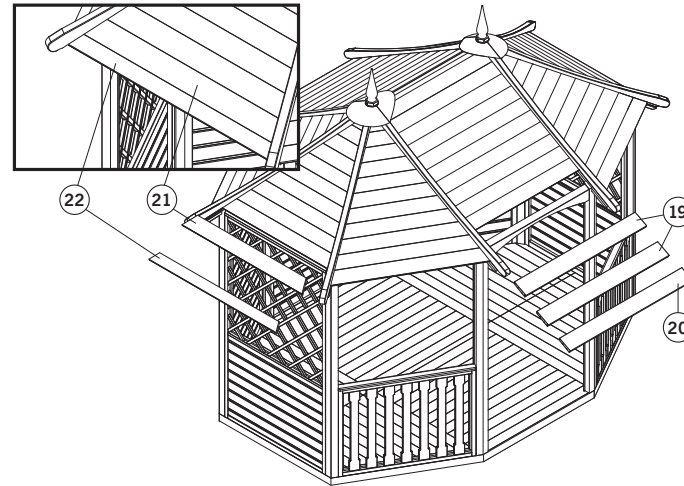
RECOMMENDATION: Stick a single piece of the rubber strips (not supplied) into the groove of each rafter.

**G**

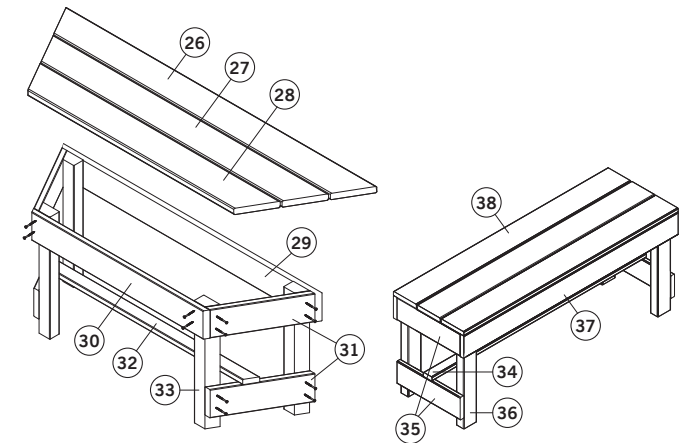
Working clockwise around the building slide a roof section into place using the grooves on the rafters. You may need to unscrew a rafter from the post to manoeuvre the panel. When the roof is in position secure it from underneath to the rafters using 2 x 70 mm screws for each side, screwing through the batten first. Fix the rafters to the posts after each roof section is completed using a single 70 mm screw for each.

H

Place the metal cap over the finial base and screw the finial top down over this.

I

Slot each of the loose roof boards into the ends of the roof panels. Secure each board in place using a 45 mm screw for each end, securing the boards to the rafters. Make sure the boards are tight before fixing.

J

Fix each of the bench components to the legs as shown using 2 x 45 mm screws for each end. Use a single screw on each end for the bench support (No. 32 / 34). When placing the bench slats, position the front and back first, making sure that each is flush on all sides. Again fix these using 2 x 45 mm screws for each end.

BIOCIDAL PRODUCT REGULATION (EU 528/2012) ARTICLE 58 INFORMATION:

This article contains biocidal products to give protection against wood destroying insect and wood rotting Fungal. This article contains timber treated with Tanalith E 3475, incorporating biocidal products to give protection against wood destroying insects & wood rotting fungi. Contains: Copper carbonate, Tebuconazole and Propiconazole. Wear gloves when handling freshly treated wood. Avoid breathing dust when cutting treated or untreated wood. Dispose of off-cuts responsibly – do not burn.

MAINTENANCE.

Regularly check that all fixings are secure. Regularly check structural parts for damage. Regularly check benches are free of splinters.